



Wings International Forwarding Ltd

andrew@wingsinternational.co.uk / www.wingsinternational.co.uk

Shipping Guide

Table of Contents

- 1. Contents**
- 2. Destinations**
- 3. Container Types**
- 4. Container Types (cont'd)**
- 5. Measuring a Box**
- 6. Order Form**

We provide a full collection and delivery service.

We also provide packing materials, storage, car shipping, and insurance advice.

Contact us or see our website for further details.

andrew@wingsinternational.co.uk

www.wingsinternational.co.uk

(+44) 0117 370 8593

LOGISTICS UK





Wings International Forwarding Ltd

andrew@wingsinternational.co.uk / www.wingsinternational.co.uk

Destinations

We ship to the following ports, for any other destination please contact us.

- **Jamaica - Kingston**
- **Jamaica - Montego Bay**
- **Antigua**
- **Barbados**
- **British Virgin Islands**
- **Dominica**
- **Grenada**
- **Guyana – Georgetown**
- **Montserrat**
- **St. Kitts**
- **St. Lucia - Castries**
- **St. Lucia - Vieux Fort**
- **St. Vincent**
- **Trinidad – Port of Spain**



Wings International Forwarding Ltd

andrew@wingsinternational.co.uk / www.wingsinternational.co.uk

Container Types

Products can be shipped using the following containers:

Plastic Barrel

Secure plastic barrel for personal items.



Customers can put their items securely in this plastic barrel, primarily aimed at food items and clothing. **Approx dimensions:** Capacity: 220L / 50 gallons; Diameter; 57cm / 22.5"; Height: 85cm / 33.5".

The customer **retains the barrel** after delivery to/from the Caribbean, this watertight container can be used for storing items both indoors and outdoors.

Metal Barrel

Secure metal barrels for heavy duty personal items.



Metal Barrels are like their counterpart plastic ones, but can contain more heavy duty items. . **Approx dimensions:** Capacity: 220L / 50 gallons; Diameter; 57cm / 22.5"; Height: 85cm / 33.5".

The barrel mouth is wider than the plastic barrels, allowing for larger single items.

The customer **retains the barrel** after delivery to/from the Caribbean, which can then be used for storing items indoors.



Wings International Forwarding Ltd

andrew@wingsinternational.co.uk / www.wingsinternational.co.uk

Container Types (cont'd)

Products can be shipped using the following containers:

Custom Crates

Made to order for larger shipments.



- Bespoke crates are made to order based on whatever items the customer has, up to a maximum of 5 cubic metres.
- Ideal for household appliances, or other larger items.
- Crates are made from treated wood making them robust and weather-resistant.
- Versatile size and shape for a wide variety of different items.
- Contents are secured and locked before transit.

Shipping Containers

High capacity for very large shipments.



- Shipping containers are the backbone of the shipping industry, hard wearing, secure, with many variations of designed to fit the customers needs.
- Common types include 40ft HC (High Cube, 76m³ capacity), and 20ft DC (Dry Cargo, 32m³ capacity)
- Containers can be refrigerated, heated, insulated, etc.
- Capable of carrying extremely large items.
- If purchased as part of shipping the container can be converted into office or storage use after delivery.

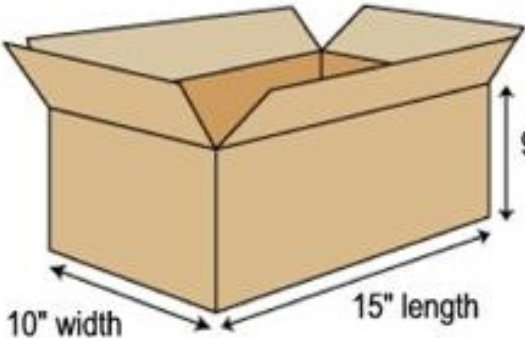
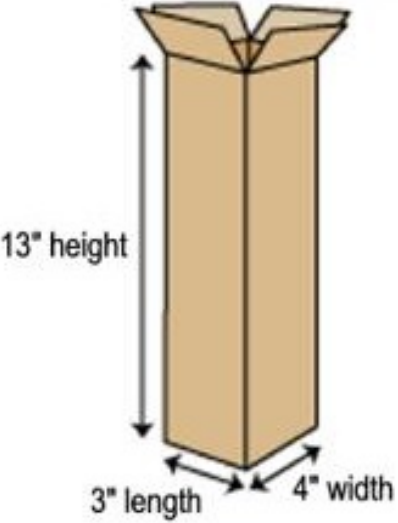
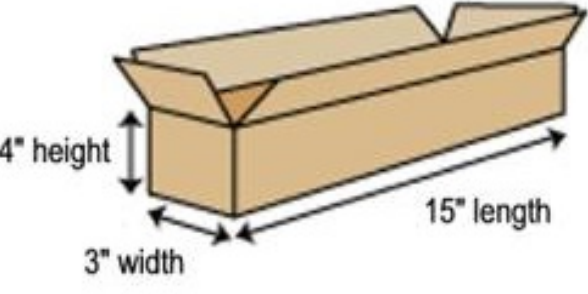


Wings International Forwarding Ltd

andrew@wingsinternational.co.uk / www.wingsinternational.co.uk

Measuring a Box

Please use this guide if you need a custom crate made.

	Standard 15 x 10 x 9" Length x Width x Height
	Tall 3 x 4 x 13" Length x Width x Height
	Long 15 x 3 x 4" Length x Width x Height



Wings International Forwarding Ltd

andrew@wingsinternational.co.uk / www.wingsinternational.co.uk

Shipping Order Form

Most shipments require insurance, please contact us for more information.

Sender Details

Sender Name			
Sender Address			
Postcode / ZIP Code		Country	
Mobile No		Landline No	
E-mail Address			

(please provide at least ONE contact phone number)

Shipment Destination

Recipient name			
Delivery Address			
Dest. Postcode / ZIP		Dest. Country	
Recipient Mobile		Recip. Landline	

(please provide at least ONE contact phone number if possible)

Shipment Details

Barrel type	Quantity
Plastic Barrel	
Metal Barrel	

Container type	Quantity	Height	Width	Length
Custom Crate		inches	inches	inches
Custom Crate		cm	cm	cm

(please use EITHER cm OR inches)

Container type	Type	Quantity	Capacity	Length
Shipping Container DC	Dry Cargo		32 m ³	20 ft
Shipping Container HC	High Cube		76 m ³	40 ft

(for any other container types or sizes, please contact us)